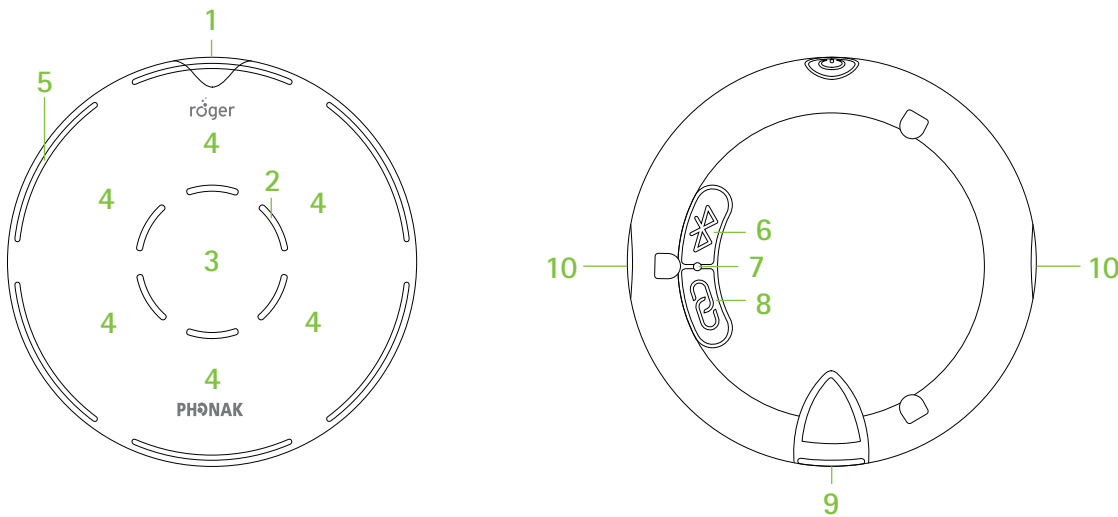


How to Connect with Roger Select

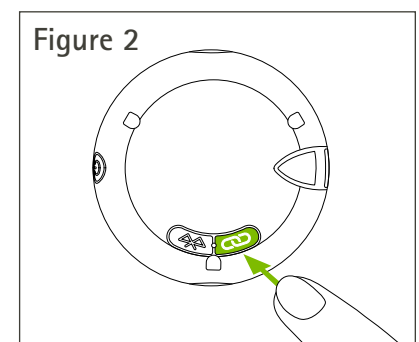
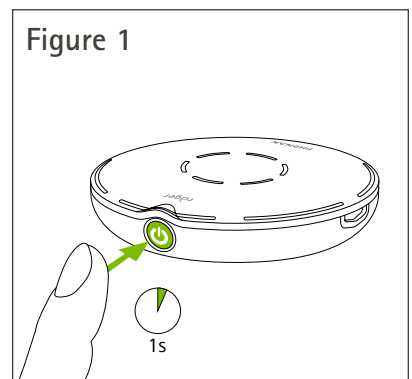


Device Description

1. On/Off button incl. battery status light
2. Microphones and center indicator lights
3. Center touch key
4. Six steering touch keys
5. Microphone mode indicator lights
6. Bluetooth button
7. Back indicator light
8. Connect button
9. Micro-USB socket
10. Slots for lanyard and clip

General Operation

- **To switch on**, press the On/Off button on the side of the Roger Select for 3 seconds. The green indicator lights will flash until fully booted. The power indicator light will fade in and out green during use. **Figure 1**
- **To connect**, hold your Roger Select close (within 10 cm/4 inches) from the Roger receiver. Press the connect button on your Roger Select. **Figure 2**
- **To switch off**, press the On/Off button on the side of the Roger Select for 3 seconds.
- **When charging** with the supplied USB power cord, the indicator light will flash green. When fully charged you will see a solid green light.



Connecting to Computers/Tablets

1. Make sure you have switched on your Roger Select.
2. Plug the rectangular end of the short audio cable into the bottom of your Roger Select.
3. Plug the round end of the short audio cable into the headphone output of your computer or portable device. **Figure 3**
4. Select "Headphones" from the pop up menu on your computer. **Figure 4**
5. Control volume by clicking on speaker icon on the bottom right corner of your computer screen. **Figure 5**

Figure 3

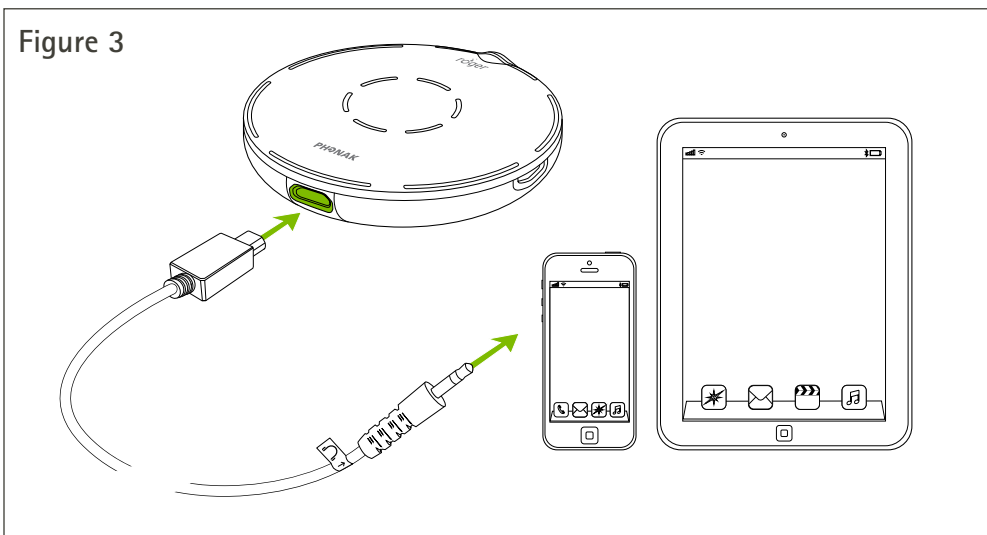


Figure 4

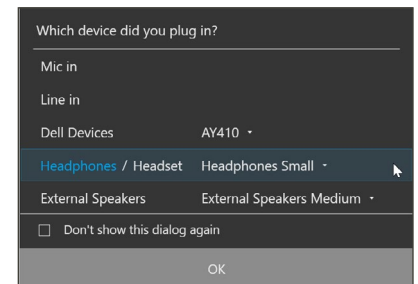


Figure 5

